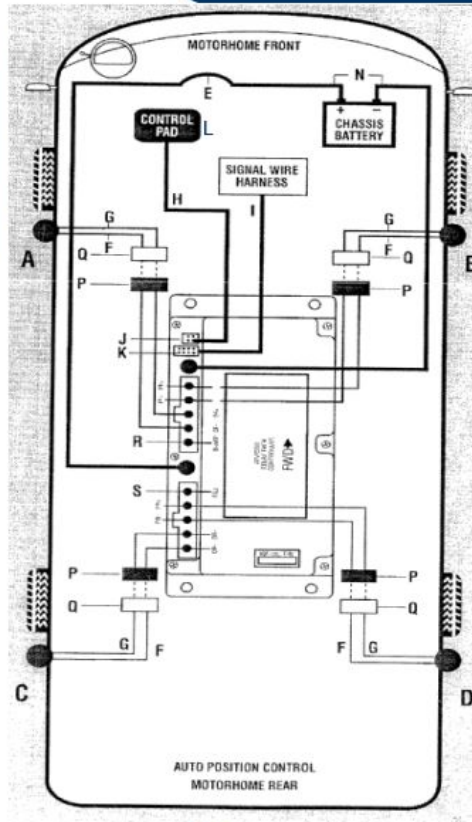

DOWNLOAD



[Atwood-levels-parts-diagram](#)

Wiring Diagram



WIRING DIAGRAM KEY

- A – Driver Front Leveleg
- B – Passenger Front Leveleg
- C – Driver Rear Leveleg
- D – Passenger Rear Leveleg
- E – 120 Amp reset breaker
- F/G – Motor leads
- H – Keypad wiring, 4-Pin connector
- I – Coach wiring, 8-Pin connector
- J – 4-Pin connection at control module
- K – 8-Pin connection at control module
- L – Keypad
- M –
- N – Power Leads, 2 Gage
- P – Wire harness Molex connector
- Q – Motor Molex connector
- R – Air Bag dump connection point (opt.)
- S – Air Bag fill connection point (opt.)



27

[Atwood-levelegs-parts-diagram](#)

DOWNLOAD



Leveleg Components Bracket Kits 7.5k Bracket - front/rear* 7.5k Bracket . Jack Type Remote control Electric Manual ball screw Manual Acme screw Wide Front/ . 14 Part # 87502 87501 IMPLEMENT SWIVEL JACKS Atwood Advantage.. The Atwood Levelers Relay Pack Controller failed and Atwood has . with no parts I guess I would consider turning it into a manual system.. The trouble shooting guide in the manual only indicates to ensure there's power . I ordered the part thru Atwood at approximately \$250.00.. 3 Apr 2018 - 7 min - Uploaded by AZ ExpertI am still learning this new program and editing a video I made last summer when it was 120+ .. ATWOOD LEVELERS SYSTEM. Guides are only intended for . used in conjunction with the appropriate Instruction Manual provided with the product and any.. 1 Nov 2003 . The 2004 edition of the Atwood Hardware Service Manual is a resource created to help . procedures, parts and troubleshooting guides, warranty procedures, flat rate schedules, and . Atwood Levelers Selection Guide.. Advice from Bob about troubleshooting Atwood electric Levelers jacks.. Atwood Repairs, Service, Parts and Installations for RV, Motor Coach, Bus, Class B, . Manual and Power Jacks: A-Frame Jacks, Bolt Swivel Jacks, Casters and Feet, . Retractable King Pins, Landing Gear, Leveler Levelers and Pin Boxes.. 13 Nov 2010 . I have researched the troubleshooting manual and have found a . inspected the internals of one, however, not have I seen a parts diagram.. NEW Atwood 5th Wheel Landing Gear Jack Legs Control Switch RV Trailer Camper . ATWOOD Manual Ball Screw Camper Jack Mounting Kit #85927. \$99.00.. What is the Atwood Leveler System? Leveler . 28-29 Replacement Parts List. 30 . K/L - Leveler Wiring 10 gage wire connecting to leveler motor with.. 29 Jul 2015 - 7 min - Uploaded by tomandkathyvideosThis video shows a malfunction of my new Atwood Levelers system on a slightly off level .. Buy Atwood 66542 Leveler Kit: Levelers - Amazon.com FREE DELIVERY possible on eligible purchases.. Rear leg in 2007 fleetwood bounder 38S coming down but not leveling no pressure on it. I think it need a clutch or to be replaces it is a 66375 but I can not find.. I need the Electrical diagram for atwood gc6aa 9e water heater - the guy that replaced the part cannot remember how to put the wiring back.. atwood Levelers System User Manual Maintenance atwood For the car.. Leveler Components. Bracket Kits. Part No. 7.5k Bracket - front/rear*. 61025. 7.5k Bracket . Heavy duty - 3k manual acme screw (Boxed)** 75333. N/A. 3,000 . **Different lengths and tab locations available, call Atwood customer service.. Does anybody have experience with the Atwood Levelers system? . It could be a poor ground, but according to the diagram, all four motors are . Electric or Hydraulic leveling" I have the company name and parts number.. 16 Jun 2018 - 16 min - Uploaded by rvprepperwayneToday I repair a faulty Atwood Level Leg Jack that keeps returning an error code and not .. Atwood Levelers Levelers are intended for use on recreational vehi- cles, motorhomes and . manual reset circuit breaker or fuse (FIG 3-G). 2. Connect the. d6088ac445

- [adobe pro xi serial number free](#)
- [spintires 2014 download full version pc](#)
- [pixar partly cloudy 1080p 102](#)
- [C Odyssey Unix Pdf Free Download --](#)
- [universal xforce keygen autodesk 2015 cost](#)
- [digital marketing strategy implementation and practice 5th edition pdf download](#)
- [crusader.kings.ii.ck.2.hotfix.2.5.1.to.2.5.2.rezmar](#)
- [fable 2 pc download torrent](#)
- [hulk full mp4 movie download](#)
- [Jolly Days Kannada Movie Hd Download --](#)
- [boney m bahama mama download mp3](#)
- [\[FULL\] Ls Land Issue 06 Little Pirates](#)
- [priest 2 tamil dubbed movie download](#)
- [Letasoft Sound Booster Activation Key Torrent Download](#)
- [Free Phoneminer Unlock Code](#)
- [Qnap surveillance station pro license hack](#)
- [ye dil deewana hai lab pe tarana hai jo pyar karta hai os nay ye jana hai](#)
- [andreu castell gramatica de la lengua alemana](#)
- [Postal 10th Anniversary Collectors Edition \[RePack\].iso](#)
- [Sonar 6 Producer Edition With Crack](#)